

## pH- and ORP Sensors



### ■ Easy to use

- The bracket and the slide rail makes it easy to fit the sensor

### ■ Low maintenance

- Field replaceable electrode
- Flushes automatically

### ■ Wide measuring

- 0 - 14 pH eller +/- 2000 mV

### ■ Quick and easy calibration

- pH sensor: Calibrate with two different buffer solutions
- pH 4.00, 7.00 or 10.00

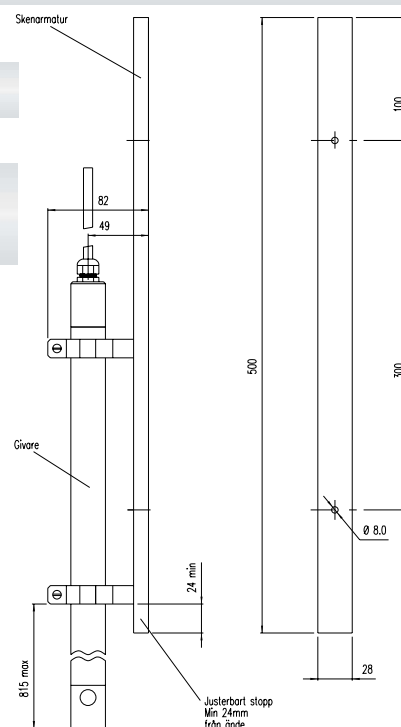
**pH- and ORP sensors** pH and ORP intended for applications in waste water treatment plants, industrial process sewers etc,. The sensors are based on digital electronic with RS485 communication to the central unit C-TRON.

In addition there is an automatic flushing system. Two sensors in the X-series can be connected to a single C-TRON box, which provides two 4-20 mA outputs. Two relay outputs are used for high/low alarms and flushing of the electrode..

## Technical specifications

### Material

Housing	316SS (2343)
Top	PVC
Weight	1,8 kg (4 lbs)
Process connection	Immersion
Immersion depth	max 30 cm (12")
Connection cable	10 m (33 ft) polyurethan High impedance pH-input with a BNC connector
Flushing	1/4 PVC hose
Dimensions	Ø28 x 1080 mm. (Ø1.1"x 43")
Measuring principle	Combination electrode
Measuring ranges	
pH	0..14
ORP	+/- 2000 mV
	IP 65 (NEMA 4X)
Linear	+/- 1.5 % FS
Inaccuracy	+/- 1.5 % FS
Isolation	max 500 volt
Enclosure	
Temperatue range	0... +60 °C (32... 140 OF)
Optional equipment	Slide rail mounting Ø28 Flushing device. Solenoid valve for flushing max 6 bar (90 psig)



## pH - ORP

**Cerlic's product line** contains sensors for measuring and monitoring your process. Our instruments are used in municipal waste water & water treatment plants,

industrial and pulp & paper process control. The development of our C-TRON product line is the result of increasing demand for instrumentation that is reliable, accurate and durable.