

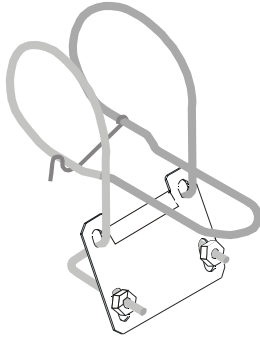


Rail Mounting Kit

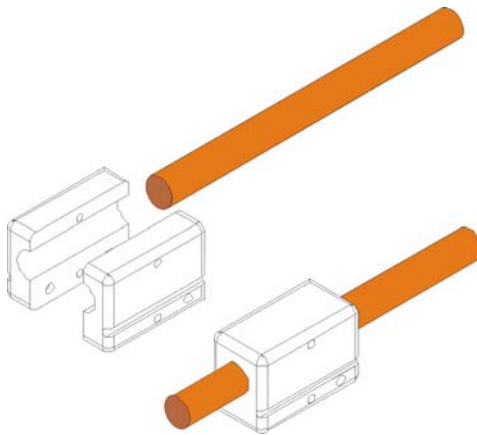
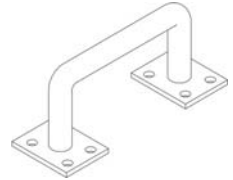
The mounting kit consists of a fibreglass telescopic rod, PVC sensor and rod holders and flexible SS mounting bracket. Optional floor stand arm is available.

Assembly of handrail mounting kit

Mount the Flexible Mounting Bracket on existing handrail or on separate holder, diameter 1 1/4" – 2" (32-50 mm) or square 1 1/8" – 1 5/8" (28-42 mm). The bent lip on the mounting plate shall be on top and faced toward the liquid or tank. Adjust the Mounting Bracket to the correct angle and tighten the nuts. The bracket shall be fixed to the rail, and must not be able to rotate around it.



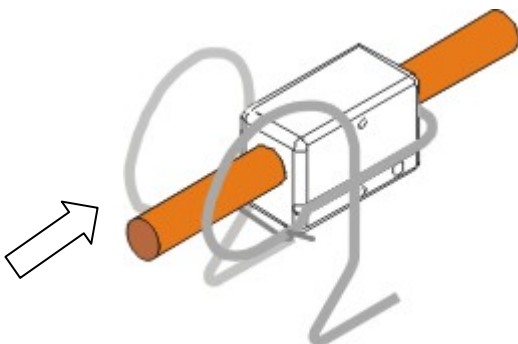
Example of a holder to be used for the mounting bracket when no handrail is available.



- Disassemble the bracket guide and place around the telescopic rod.
- Use the SS screws on bracket to tighten the bracket to the rod.



- Pull the cable and hose through the sensor holder and rod.
- Connect the telescoping fiberglass rod to the sensor with the two piece black PVC adapter.
- The adapter halves should be tightened until snug, which will leave about 1/16" gap.
NOTE! The gap is required so the water can drain from the rod.
- Adjust the length of the telescopic sensor rod as necessary by twisting the nuts while holding the rod.
NOTE! Do not extend the rod sections beyond the black lines. This could lead to rod damage.



- Insert the PVC bracket guide with the telescopic rod into the mounting bracket. Make sure that the bracket guide tracks are properly seated in the bracket.
- Fasten the safety-locking clamp.
- Check that the bracket is safely fixed to the rail for the spring to work the way it is intended.