

COW Discontinued April 2018

Water Sampler



- **Easy to use**
All settings entered from the front touch panel
Self-instructing step-by-step menu
- **Low maintenance**
Built-in automatic flushing
- **Representative samples**
Grabs representative samples due to prevacuum design
- **Vacuum Water Sampler**
meets International standards for water sampling
ISO 5667-10

COW

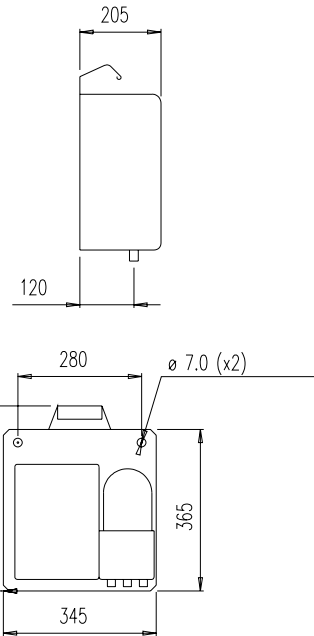
is a liquid sampler suitable for the difficult municipal and industrial sampling applications. **COW** utilizes prevacuum of sample chamber to lift samples rapidly when the suction height exceeds 10 ft. This prevents particles from settling and ensures a representative sample. The internal logger stores information if any sample is missed. The sample chamber is easy to clean and access due to removable twist cup design. The sample chamber is made of durable recycled plastic, as are all other plastic material used in the sampler construction. Sampling may be taken preset time intervals using the internal timer or flow proportional. **COW** is also equiped with a calender function that makes it possible to program the sampler to activate at a predetermined date and time.

Electronics

Power Supply	115/230 V 50/60Hz, 12 V DC
Power usage	40 VA (during sample cycle), <0,5 VA (idle) Average 5 VA
Input	0/4-20mA (150 ohm), puls (5-35 V or dry contact)
Display	LED w backlight, 1 line 16 character

Sampler

Material	Front cover Chassis Vacuum cup Valve assembly	Minlon plastics Aluminium plate Macrolon plastics Silicon rubber
Wegiht	8,3 kg (18,4 lbs)	
Dimensions	(WxHxD)350x415x185mm (13.8"x16.3"x7.3")	
Enclosure	IP 65 (NEMA 4X)	
Ambient temp	0... +50 °C (32-122 °F)	
Sample temp.	0... +70 °C (32-158 °F)	
Min sample intervall	4 min.	
Max elevation	6 m (18')	
Suction hose	Ø19 mm (3/4"Ø)	
Sample hose	Ø19 mm (3/4"Ø)	
Excess hose	Ø19 mm (3/4"Ø)	
Flushing hose	Ø5 x Ø8 mm (0.23"Ø x 0.31" Ø)	
Acid in rinse liquid	max 1,5% HCl	
Sample volume	28-500 ml	



P.O. Box 5084, 141 05 HUDDINGE, Sweden, Ph. (switchboard) + 46 8 501 694 00,
Fax +46 8 501 694 29, e-mail sales@cerlic.se