

# Submersible Capacitive Sensor for Level and pressure measuring



- **Low maintenance**
  - Robust ceramic membrane
  - No moving parts
  - Hytrel cable
- **Measuring range**
  - 0-5/10/20 mvp

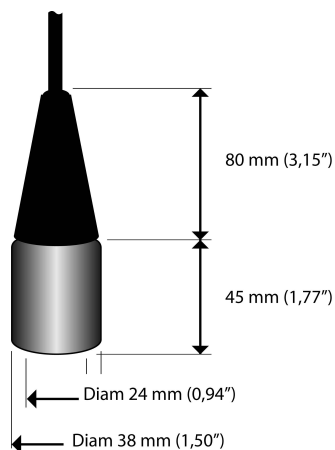
- **Wide application range**
  - Not effected by foam, wind or turbulent water surface
  - A ventilated cable compensates atmospheric pressure

**Submersible level/pressure sensor** intended for continuous measurements in lift stations, tanks, lakes, rivers etc. Cerlic CKN is build with a capacitive measuring cell with ce-ramic membrane and a built-in microelectronics. This ensures polynomial temperature compensation for reliable measuring

over a wide measuring range. The construction is robust and reliable. A reference tube integrated in the cable connects the referential chamber of the sensor with the ambient pressure. The cable sheath is made of Hytrel and is highly resistant to aggressive materials and fluids.

## TECHNICAL SPECIFICATIONS

<b>Material</b>	<b>Housing</b>	Stainless steel 2343 (SS316)
	<b>Diaphragm</b>	Ceramic, gold plated
<b>Weight</b>	1,2 kg incl 12 m cable 2 kg incl 22 m cable	
<b>Cable</b>	12/22 m	Ø 8,3 mm, Hytrel, shielded 2 wire compensated tube
<b>Protection</b>	IP 68 (NEMA 4X)	
<b>Temp.range</b>	<b>Operating temp.</b>	0 - 80°C
	<b>Compensated range</b>	10 - 50°C
<b>Supply</b>	8 - 28 VDC	
<b>Output signal</b>	4 - 20 mA	
<b>Measuring range</b>	0 - 5/10/20 mvp	Standard 0 - 10 mvp (in stock)
<b>Accuracy</b>	± 0,1 % FS (typ.)	
	± 0,2% FS (max)	
<b>Option</b>	Programable special ranges Via connecting device AMX (see sep. leaflet) the CKN can be digitally connected to the Central unit BB2.	
<b>Accessoires</b>	Hanger for cable	



## CKN

**BB2 Control Box** All our sensors in the X-series can be combined and connected to a Control Box; BB2. The BB2 is equipped with the latest in communication protocols for compatibility with a wide array of automation systems. The control box comes with two 4 - 20 mA outputs as standard. It can support up to four

sensors for 4 - 20 mA or Profibus DP output signals. Relay outputs in the BB2 are used for high and low alarms or to provide a pulse for automatic cleaning for sensors with that function. Further information can be found in our leaflet for BB2.