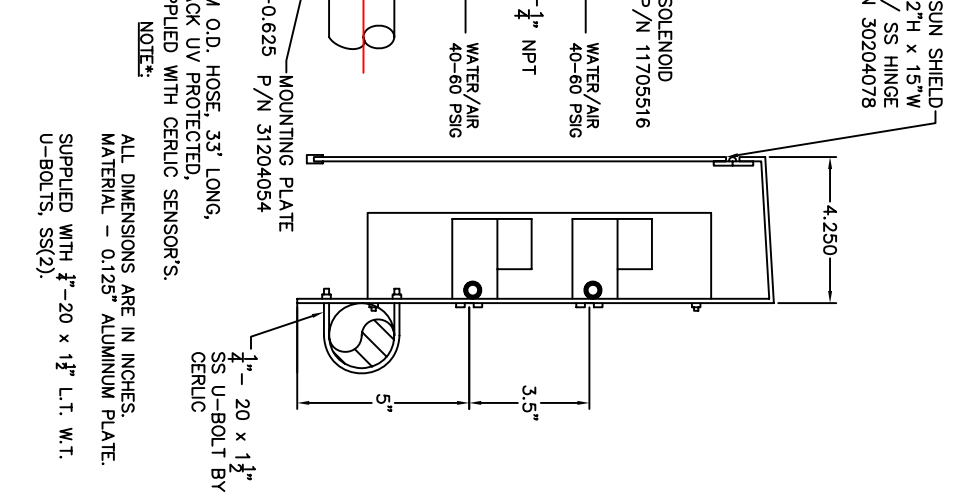


OPAQUE SUN SHIELD  
12"H x 15"W  
W/ SS HINGE  
P/N 30204078



(2) SENSORS W/ 33' CABLE & Y-SPLITTER, 24" LONG  
P/N 30804065  
SEE Y-SPLITTER DETAIL

ALL DIMENSIONS ARE IN INCHES.  
MATERIAL - 0.125" ALUMINUM PLATE.  
SUPPLIED WITH 1/4"-20 x 1 1/2" L.T. W.T. U-BOLTS, SS(2).



Cerlic Environmental Controls, Inc  
P.O. Box 420097  
Atlanta, GA 30342  
Phone (404) 256-3097  
Fax (404) 256-3094

BB2 CONTROL BOX W/ PHX/REX SENSOR, SOLENOID VALVES, MOUNTING PLATE, & SUN SHIELD  
DRAWING NUMBER 104A-2S-1PHX  
LAST REV. DATE 09/05/05  
SCALE NTS

REV.	DATE	BY	CHKD.	DESCRIPTION
1		DLT		
2	05/23/05	JR		
3		JR		
4		JR		
5		JR		
6		JR		
7		JR		